



COMMERCIAL RECYCLING & WASTE DISPOSAL



COMMERCIAL WASTE DISPOSAL

Clear Creek Disposal offers individualized service based on each business's needs. CCD collects commercial waste, but **ABSOLUTELY NO HAZARDOUS MATERIALS**. Call CCD with questions about potential hazards.

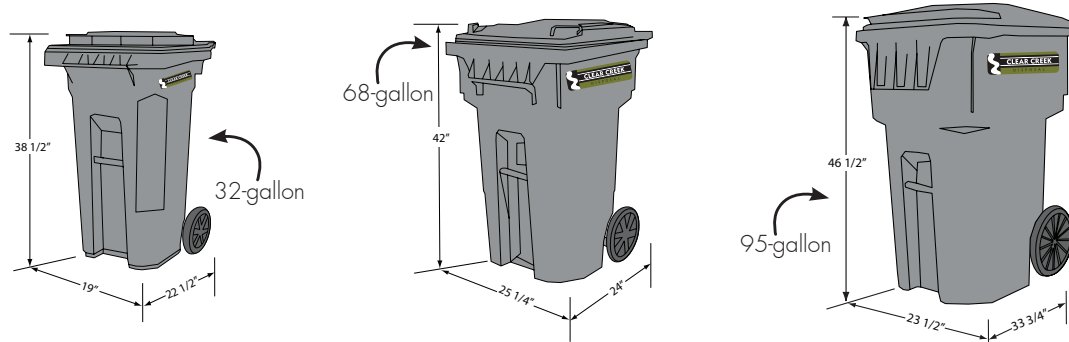
COST/BILLING:

Cost is based on the size and number of containers selected and the frequency of servicing. A CCD Customer Service Representative will assist business owners in developing cost effective, efficient servicing. Billing is monthly by CCD; except in Hailey where it is on City water bills.

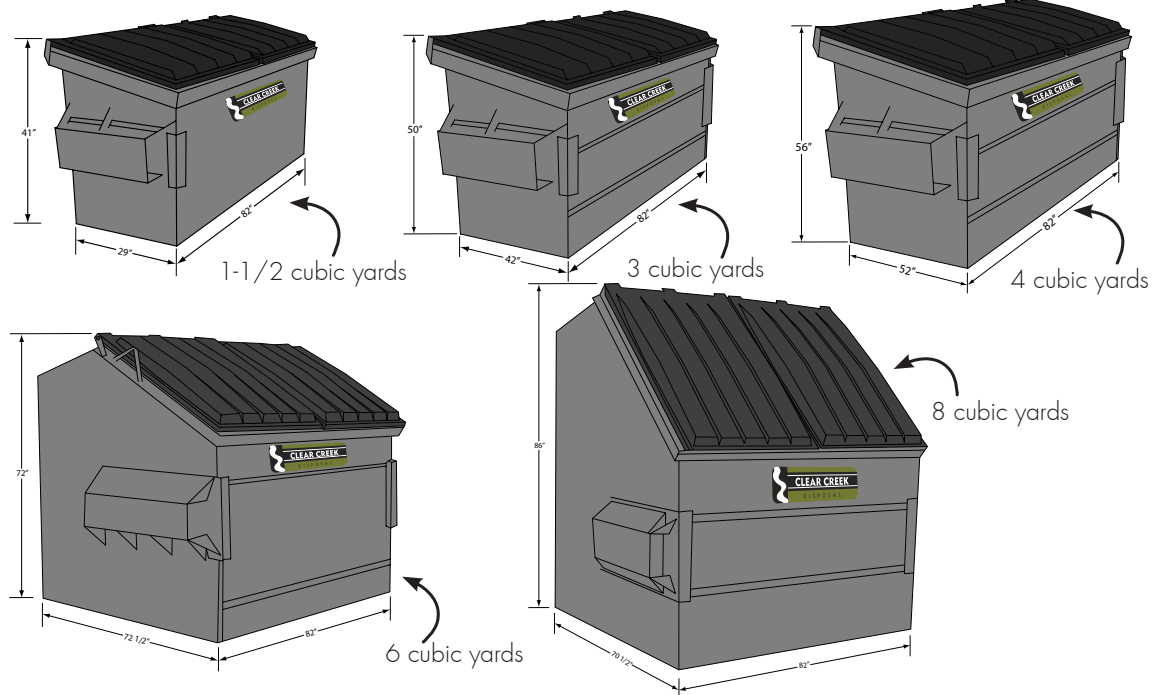
COLLECTION SCHEDULE & FREQUENCY:

Collection service for commercial containers is available from a minimum of once a week, to a maximum of five days per week, Monday through Friday. Schedules vary depending on material(s) and collection container(s).

COLLECTION CONTAINER SIZE: Rolling Carts: 32-, 68- and 95-gallon



Dumpsters: 1-1/2, 3, 4, 6 and 8 cubic yards



Working for a Cleaner Environment and a More Prosperous Community