



CLEAR CREEK

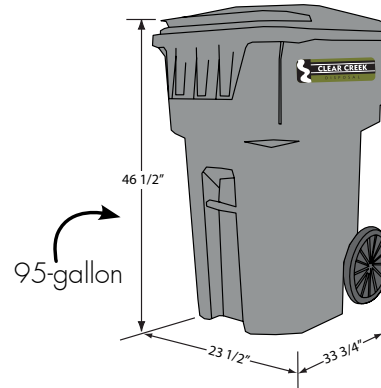
DISPOSAL

SUN VALLEY

RESIDENTIAL WASTE DISPOSAL & RECYCLING



TRASH CART/SIZE: Sun Valley residents receive a 95-gallon cart, unless the 32- or 68-gallon cart is requested. Additional carts are free.



RECYCLING BINS: Recycling services are provided at no extra charge. Up to six bins per household and labels are available free. (Recycling details provided on next page.) Residents can select the traditional 18-gallon blue bin, if preferred.



FOR NEW SERVICE: For a rolling cart and/or free recycling bin, call 208.726.9600.

COLLECTION: Trash and recycling service within the City of SUN VALLEY includes weekly curbside pickup of UNLIMITED AMOUNTS of both household garbage and sorted recyclables. For collection day, call 726.9600 or look under “Schedules” on the website.

Cart(s) and recycle bin(s) should be at the curb for collection by 7 a.m. Cart lid should open toward the street. The recycle bin(s) should be at least 18” away from the cart. *On snowy days, carts should be set out in the morning (not the night before) to prevent snow plows from knocking them over.*

BILLING: Residents pay \$71.76 every three months direct to Clear Creek Disposal.

MOVING: If you are moving, please leave cart and bin(s) for the next occupants. Garbage Carts and Recycle Bins are owned by CCD, and registered to the property address.

Working for a Cleaner Environment and a More Prosperous Community

EXTRA SERVICES:

- Cart Cleaning
- Off-Day Service
- Appliance Removal
- Drive-Up Service: For residents who prefer to NOT place the cart at the street, the collection truck can come up the driveway.

